

Junction Box for Light Indication

The junction box for light indication is designed for the purpose of light indication and connection of self-regulating heating cables to power network. The junction box is used as a part of heat tracing systems for pipelines and vessels in non-hazardous areas. The junction box is equipped with a pipe installation support stand UVK which allows fixation directly

onto the pipeline/vessel. The junction box design ensures moisture and dust ingress protection IP66 and high corrosion stability. The installed terminal blocks ensure fast and safe connection of multi-core or single-core conductors. Our boxes are available with screw clamp terminals as well as with push-in terminals.

Features

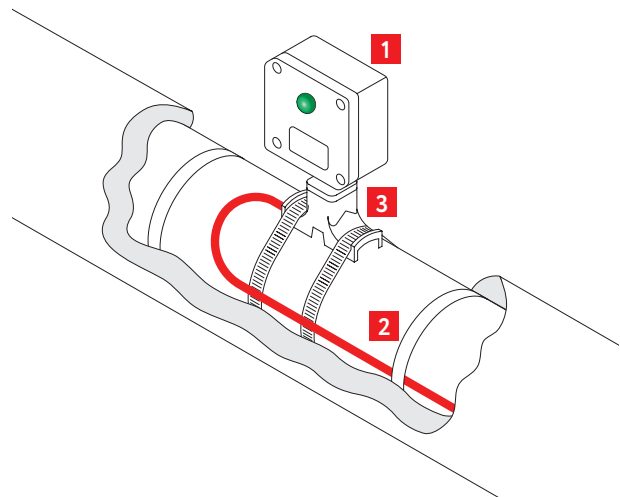
- Non-hazardous area approved solution
- Excludes the risk of damage to heating cables
- All required component parts are included
- Quick and easy installation
- High thermal stability
- Non-corrosive

Application Areas

- Temperature maintenance or freeze protection of pipelines and vessels in non-hazardous areas
-



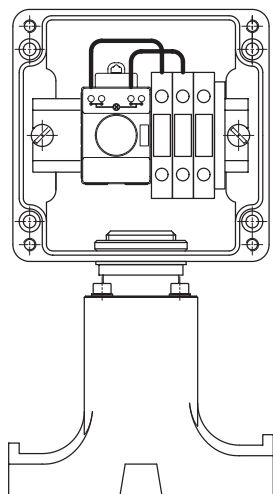
JB2212-223-1xxxx



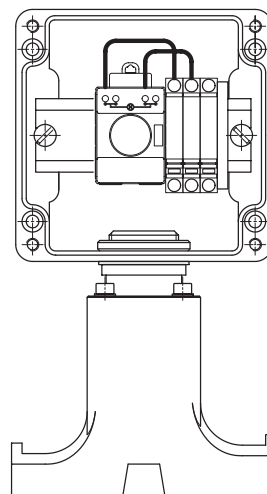
1. JB2212-223-1xxxx junction box
2. Heating cable
3. Pipe support stand UVK

Junction Boxes

Construction



JB2212-223-1xxxx box with screw clamp terminal block



JB2212-223-1xxxx box with push-in terminal block

Technical Data

Degree of protection	IP66
Ambient temperature range	-55...+55 °C
Operating voltage on terminals	max. 750 V
Maximum voltage on light module	250 V
Operating current	max. 32 A
Electric lamp lifetime	> 10 ⁵ h
Lamp consuming power	< 1 W
Light source	green LED
Light coverage	180°
Enclosure dimensions	122×120×90 mm
Total weight (maximum)	1.35 kg
Material box	Glass fiber reinforced polyester
Color	Grey
Pipe installation support material	Glass fiber reinforced polyester
Color	Black

Application types

Application	Terminals	Name
Light ind. end box	screw, 1L, 1N, 1PE	JB2212-223-11320
	push-in, 1L, 1N, 1PE	JB2212-223-12320

Approvals



* Certification is underway

Types

Name	Order code
JB2212-223-11320	2210001612
JB2212-223-12320	2210001613

Accessories (to be ordered separately)

Metal pipe strap PFS/3 – for mounting the box onto the pipeline.